

Force gauge

DDH 2.X/ HT 6.0, DDH 3.X/ HT 6.0



Factory calibrated
Nominal loads from 5000 N to 200 kN
Measure the top load

Compression force application
Materials testing
Quality assurance
Industrial process monitoring

Designed,
developed and
made in Germany

This fully electronic force gauge is suitable for measuring compression forces. It is available for various measurement ranges between 5000 N and 200 kN. The force gauge consists of a compression load cell as a transducer and a hand-held terminal. These are firmly connected to each other with a cable. The display of the hand-held terminal can show the current measured value as well as the measured peak value.

The compact and robust compression load cells can even be used in aggressive

environments. Loads must always be applied concentric with the load cell. To secure a load cell in the load path, there are four tapped holes in the base. Mounting plates for these compression load cells are available as accessories. They employ dowels to ensure that loads are correctly applied in the centre of a load cell. However, this type of installation offers no protection against lifting.

You can request the firmware version, the date of the last calibration and the serial number of your device via an

easy-to-use menu. In this menu, you can also set the auto-off time for saving the batteries, the desired measuring rate and the display contrast.

Four batteries of type AA which can be easily replaced by the user supply the force gauges with power.

Technical data

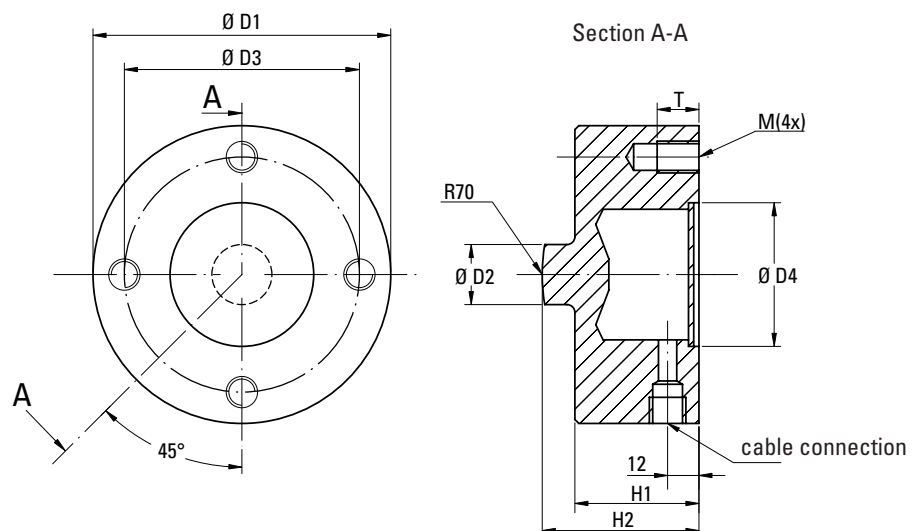
Type with HT 6.0	DDH2.0	DDH2.1	DDH2.2	DDH2.3	DDH2.4	DDH3.0	DDH3.1	
Nominal load (only on compression)	5000 N	10000 N	20 kN	40 kN	60 kN	100 kN	200 kN	
Overload	1.1 x nominal load							
Display	12 digits, 2 lines							
Sensitivity/display increments*	1 N	1 N	0.01 kN	0.01 kN	0.01 kN	0.1 kN	0.1 kN	
Accuracy	±0.25% f.s. **							
Operating temperature	0°C to +50°C							
Storage temperature	-20°C to +70°C							
Measuring rate	configurable: 10, 20 or 100 Hz							
Power supply	4 x battery type AA							
Operating time	>8 h continuous operation							
Auto off time	configurable: 8, 30, 60 min / off							
Dimensions of the transducer [mm]	D1	Ø 94				Ø 114		
	H1	35.5				47.5		
	D2	Ø 23				Ø 23		
	H2	48				60		
	D3	Ø 80				Ø 90		
	D4	Ø 55				Ø 55		
	Mounting thread	M 5 – 12 deep (4x)				M 12 – 16 deep (4x)		
Hand terminal's dimensions [mm]	L 145 x W 78 x H 44							
Material of the transducer	nickel-plated steel							
Housing of the hand terminal	ABS							
Total weight	1.95 kg				3.65 kg			
Cable	FDCP plus, 4 x 0.25 mm ² , length 5 m							
Protection class of the transducer	IP 67							
Protection class of the hand terminal	IP 40							

* other sensitivities on request

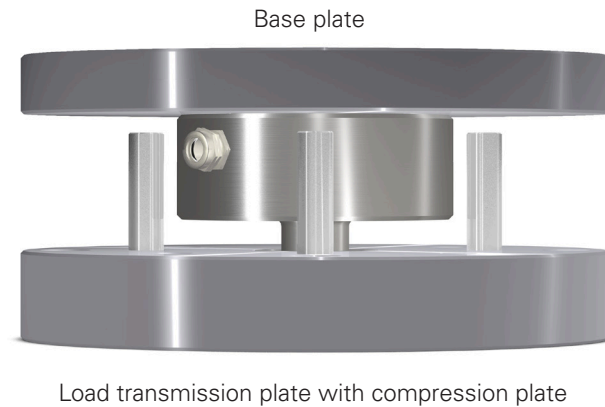
** f.s. = full scale value

Dimensions of the transducer

Dimensions in mm



Inverted installation



Accessories

- » Base plate
- » Load transmission plate with compression plate

Calibration

- » factory calibrated
- » under compression load
- » calibration in N
- » optional: ISO- or DAkkS calibration
- » optional: calibration in kg

Optionen

- » other cable length