

## Hanging scale **ZW 6.0**



---

Factory calibrated  
Nominal loads of 1000 kg or 2000 kg  
Measure the top load in positive  
and negative direction of force

---

Tensile and compression applications  
Weighing operations in many different fields

---

Designed,  
developed and  
made in Germany

This fully electronic scale is suitable for measuring tensile and compression loads. It is available for two load ranges, up to 1000 kg and up to 2000 kg. The hanging scale consists of a transducer and a hand-held terminal. These are firmly connected to each other with a cable. The display of the hand-held terminal can show the current measured values as well as the peak values of both load directions.

The transducer, a shear-force load cell, is insensitive to transverse forces. This ensures that the scale provides very accurate measurements. The transducer can be adapted in various ways with the two mounting threads. Furthermore, spherical rod ends and eyebolts are available as accessories.

You can request the firmware version,

the date of the last calibration and the serial number of your device via an easy-to-use menu. In this menu, you can also set the auto-off time for saving the batteries, the desired measuring rate and the display contrast.

Four batteries of type AA which can be easily replaced by the user supply the scales with power.

## Technical Data

Type	ZW 6.0 / 1000 kg	ZW 6.0 / 2000 kg
Nominal load [kg]	1,000	2,000
Overload	1.2 x nominal load	
Display	12 digits, 2 lines	
Sensitivity/display increments* [kg]	0.1	1
Accuracy	±0.25 % f.s. ** (under tension <i>or</i> compression)	
Operating temperature	0°C to +50°C	
Storage temperature	-20°C to +70°C	
Measuring rate	configurable: 10, 20 or 100 Hz	
Power supply	4 x battery type AA	
Operating time	> 8 h continuous operation	
Auto off time	configurable: 8, 30, 60 min / off	
Dimensions of the transducer [mm]	L 80 x W 25 x H 80	
Mounting thread	2 x M16	
Hand terminal's dimensions [mm]	L 145 x W 78 x H 44	
Material of the transducer	Steel	
Housing of the hand terminal	ABS	
Total weight (without accessoires) [kg]	1.2	
Cable	FDPC plus 4 x 0.14 mm <sup>2</sup> , length 1.5 m	
Protection class of the transducer	IP 67	
Protection class of the hand terminal	IP 40	

\* other sensitivities on request

\*\* f.s. = full scale value



## Calibration

- » Factory calibrated
- » Under tension or compression
- » Display in kg

## Options

- » Mechanical overload protection for compression forces

### Accessories for ZW 6.0

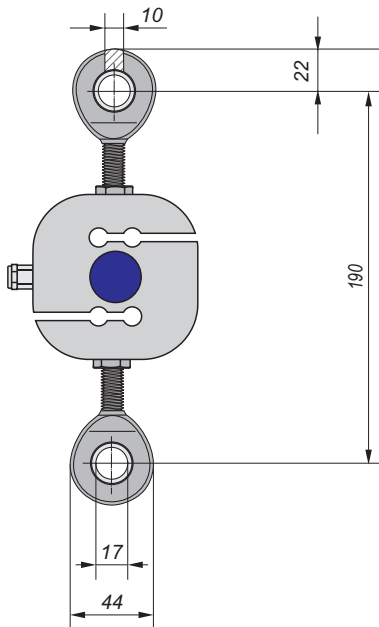
Product	Description	Figure	
Spherical rod ends (for adaption)	EM17		<input type="radio"/>
Eyebolts (for adaption)	Thread M16		<input type="radio"/>
Carrying case	Plastic material, for one scale		<input type="radio"/>
Extension connection cable	Length 5 m, including connection socket hand-held terminal		<input type="radio"/>

● requirement | ● requirement / selection | ○ optionally available

### Dimensions ZW 6.0 with accessories

Dimensions in mm

Transducer with spherical rod ends (optional)



Transducer with eyebolts (optional)

